



Cornell University
Center for Advanced Computing

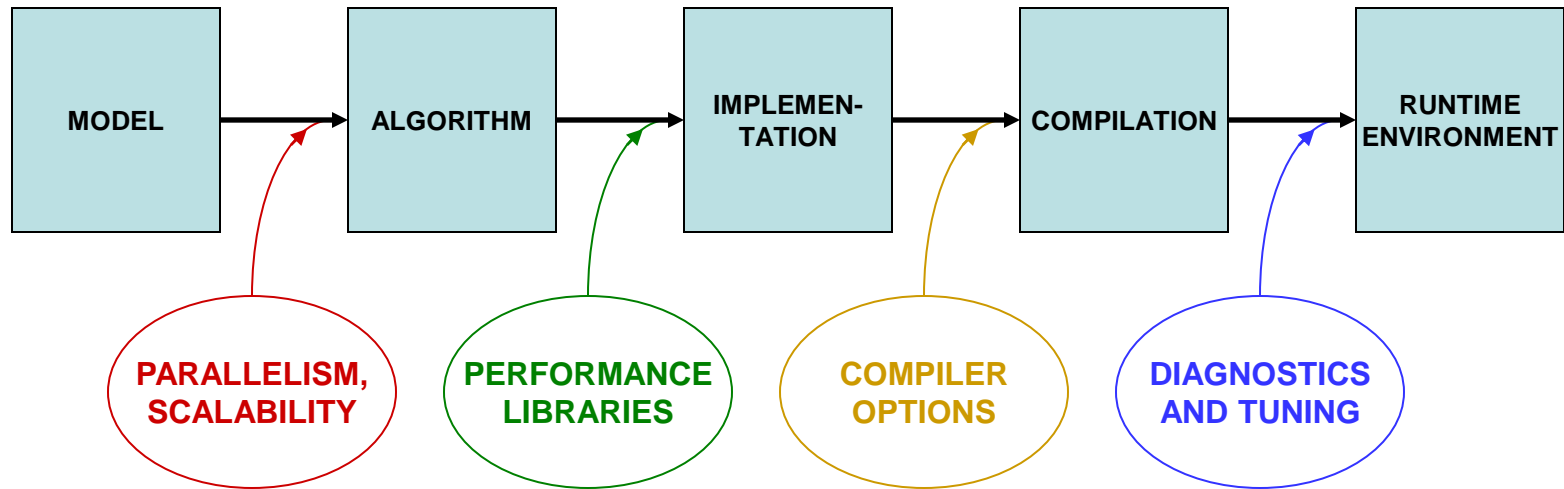
Per-Core Performance Optimization

Steve Lantz
Senior Research Associate
Cornell CAC

Workshop: Data Analysis on Ranger, January 20, 2010



Putting Performance into Design and Development



Designing for parallelism and scalability is a topic in itself...

...this talk is about principles and practices during the later stages of development that lead to better performance on a per-core basis



What Matters Most in Per-Core Performance

Good memory locality!

- Code accesses ***contiguous*** memory addresses
 - Reason: data always arrive in cache lines which include neighbors
 - Reason: loops become vectorizable via SSE (explained in a moment)
- Code emphasizes ***cache reuse***
 - Reason: if multiple operations on a data item are grouped together, the item remains in cache, where access is much faster than RAM
- Data are ***aligned*** on doubleword boundaries
 - Reason: items won't straddle cache lines, so access is more efficient

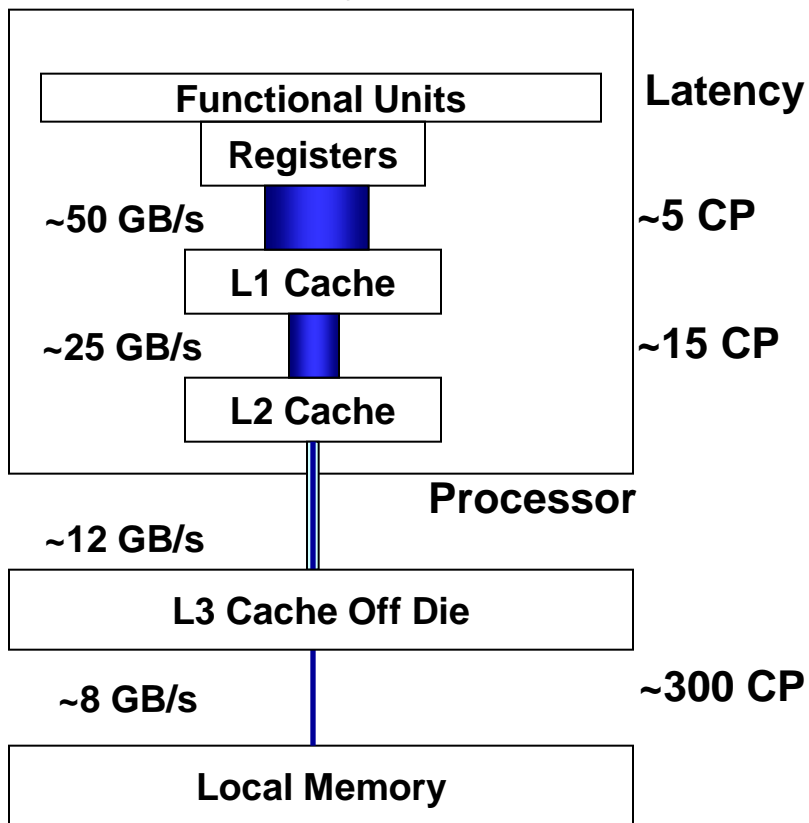
Goal: make your data stay in cache as long as possible, so that deeper levels of the memory hierarchy are accessed infrequently

- The above is even more important for GPUs than it is for CPUs

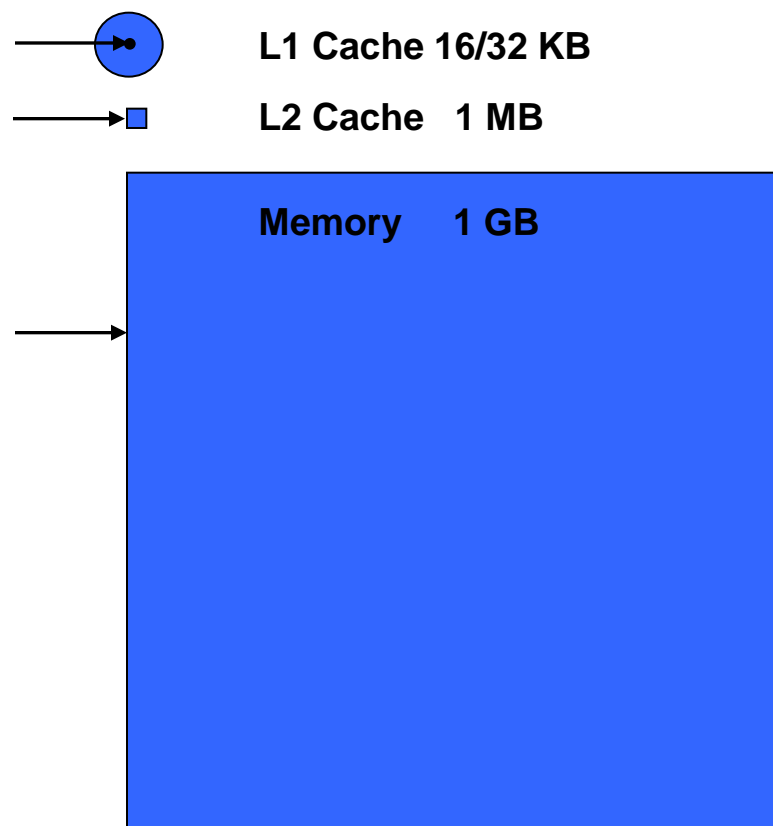


Understanding The Memory Hierarchy

Relative Memory Bandwidths



Relative Memory Sizes





What's the Target Architecture?

- AMD initiated the x86-64 or **x64** instruction set
 - Extends Intel's 32-bit x86 instruction set to handle **64-bit addressing**
 - Encompasses both AMD64 and EM64T = "Intel 64"
 - Differs from IA-64 (now called "Intel Itanium Architecture")
- Additional **SSE** instructions access special registers & operations
 - 128-bit registers can hold 4 floats/ints or 2 doubles simultaneously
 - Within an SSE register, "**vector**" operations can be applied
 - Operations are also **pipelined** (e.g., load > multiply > add > store)
 - Therefore, **multiple results** can be produced **every clock cycle**
 - New with "Sandy Bridge": Advanced Vector Extensions (AVX), Intel's latest add-ons to the x64 instruction set for 256-bit registers



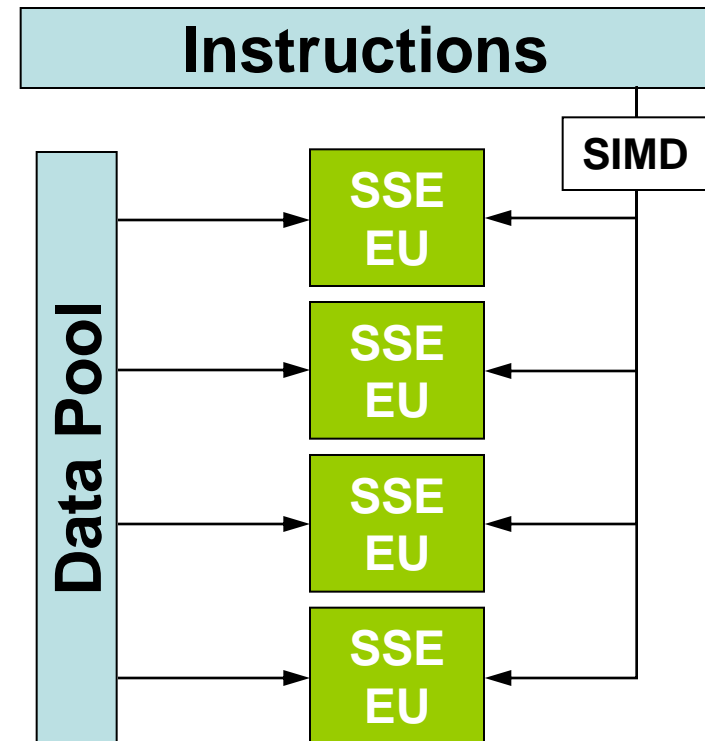
Understanding SSE, SIMD, and Micro-Parallelism

- For “vectorizable” loops with independent iterations, SSE instructions can be employed...

SSE = *Streaming SIMD Extensions*

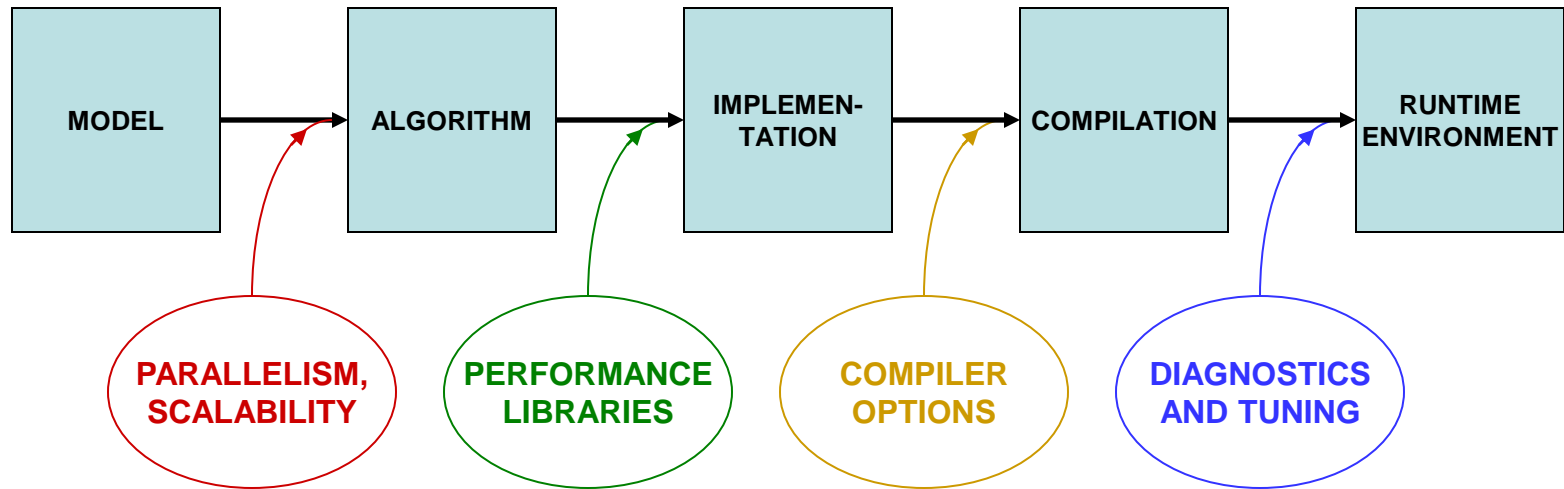
SIMD = *Single Instruction, Multiple Data*

Instructions operate on multiple arguments simultaneously, in parallel Execution Units





Putting Performance into Development: Libraries



Designing for parallelism and scalability is a topic in itself...

...this talk is about principles and practices during the later stages of development that lead to better performance on a per-core basis



Performance Libraries

- Optimized for specific architectures (chip + platform + system)
- Offered by different vendors
 - Intel Math Kernel Library (MKL – Ranger and Lonestar)
 - AMD Core Math Library (ACML – Ranger only)
 - ESSL/PESSL on IBM systems
 - Cray libsci for Cray systems
 - SCSL for SGI systems
- Usually far superior to hand-coded routines for “hot spots”
 - Writing your own library routines by hand is not merely re-inventing the wheel; it’s more like re-inventing the muscle car
 - *Numerical Recipes* books are NOT a source of optimized code: performance libraries can run 100x faster



HPC Software on Ranger, from Apps to Libs

Applications

AMBER
NAMD
GROMACS

GAMESS
NWChem
...

Parallel Libs

PETSc
SLEPc

PLAPACK
ScaLAPACK

METIS
ParMETIS

SPRNG
...

Math Libs

MKL
ACML
GSL
GotoBLAS
GotoBLAS2

FFTW(2/3)
ATLAS

Hypre
NumPy
...

Input/Output

NetCDF
HDF5

pNetCDF
PHDF5
...

Diagnostics

TAU
PAPI
...



Intel MKL 10 (Math Kernel Library)

- Accompanies Intel compilers:
 - Ranger has MKL 10.0 for the Intel 10.1 compilers
 - Lonestar has MKL 10.3 for the Intel 11.1 compilers
- Is optimized for the IA-32, Intel 64, Intel Itanium architectures
- Supports Fortran and C interfaces
- Includes functions in the following areas:
 - Basic Linear Algebra Subroutines, for BLAS levels 1-3 (e.g., $Ax+y$)
 - LAPACK, for linear solvers and eigensystems analysis
 - FFT routines
 - Transcendental functions
 - Vector Math Library (VML), for vectorized transcendentals
 - ...others



Using Intel MKL on Ranger

- Enable MKL

- module `load mkl`
- module `help mkl`

- Compile and link for C/C++ or Fortran

```
mpicc -I$TACC_MKL_INC mkl_test.c -L$TACC_MKL_LIB -lmkl_em64t  
mpif90 mkl_test.f90 -L$TACC_MKL_LIB -lmkl_em64t
```

- Add one more option to run the code without “module load mkl”

```
-Wl,-rpath,$TACC_MKL_LIB
```

- Useful website (visit here for Lonestar, e.g.):

- <http://software.intel.com/en-us/articles/intel-mkl-link-line-advisor/>



GotoBLAS, ATLAS, and FFTW

GotoBLAS

- Hand-optimized BLAS, minimizes TLB misses
- Only testing will tell what kind of advantage your code gets

ATLAS, the Automatically Tuned Linear Algebra Software

- BLAS plus some LAPACK

FFTW, the Fastest Fourier Transform in the West

- Cooley-Tukey with automatic performance adaptation
- Prime Factor algorithm, best with small primes like (2, 3, 5, and 7)
- The FFTW interface can also be linked against MKL

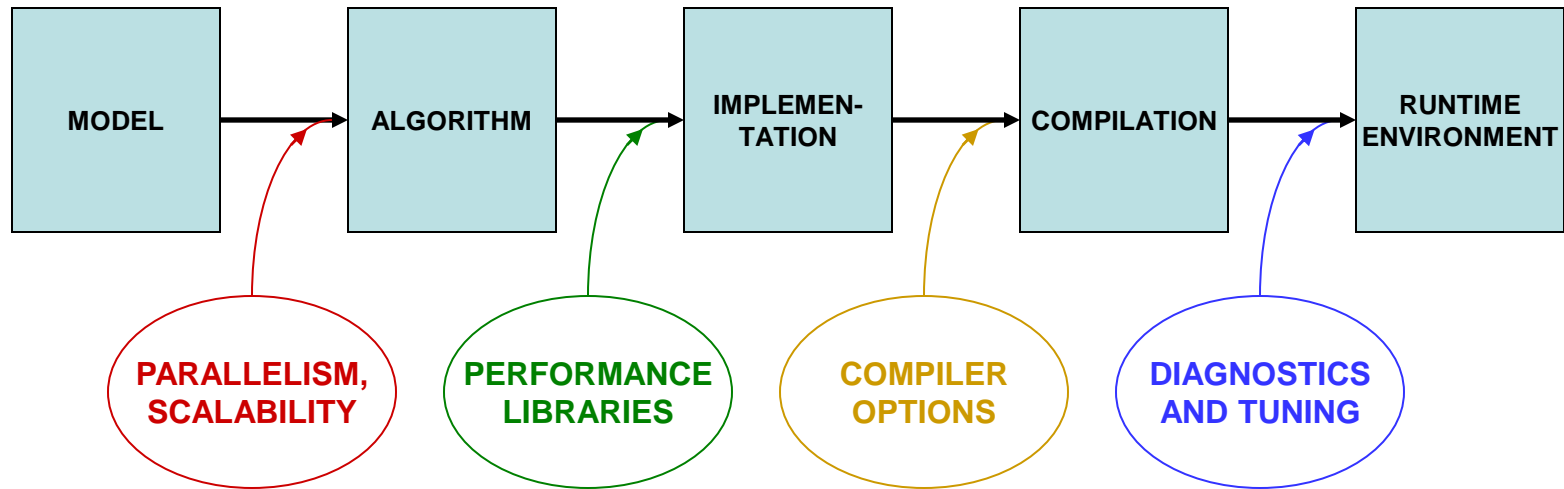


GSL, the GNU Scientific Library

- Special Functions
- Vectors and Matrices
- Permutations
- Sorting
- Linear Algebra/BLAS Support
- Eigensystems
- Fast Fourier Transforms
- Quadrature
- Random Numbers
- Quasi-Random Sequences
- Random Distributions
- Statistics, Histograms
- N-Tuples
- Monte Carlo Integration
- Simulated Annealing
- Differential Equations
- Interpolation
- Numerical Differentiation
- Chebyshev Approximation
- Root-Finding
- Minimization
- Least-Squares Fitting



Putting Performance into Development: Compilers



Designing for parallelism and scalability is a topic in itself...

...this talk is about principles and practices during the later stages of development that lead to better performance on a per-core basis



Compiler Options

- There are three important categories:
 - Optimization level
 - Architecture specification
 - Interprocedural optimization
- Generally you'll want to supply one option from each category



Let the Compiler Do the Optimization

- Be aware that compilers can do sophisticated optimization
 - Realize that the compiler will follow your lead
 - Structure the code so it's easy for the compiler to do the right thing (and for other humans to understand it)
 - Favor simpler language constructs (pointers and OO code won't help)
- Use the latest compilers and optimization options
 - Check available compiler options
`<compiler_command> --help {lists/explains options}`
 - Refer to the User Guides, they usually list “best practice” options
 - Experiment with combinations of options



Basic Optimization Level: `-On`

- `-O0` = no optimization: disable all optimization for fast compilation
- `-O1` = compact optimization: optimize for speed, but disable optimizations which increase code size
- `-O2` = default optimization
- `-O3` = aggressive optimization: rearrange code more freely, e.g., perform scalar replacements, loop transformations, etc.
- Note that specifying `-O3` is not always worth it...
 - Can make compilation more time- and memory-intensive
 - Might be only marginally effective
 - Carries a risk of changing code semantics and results
 - Sometimes even breaks codes!



-O2 vs. -O3

- Operations performed at default optimization level, -O2
 - Instruction rescheduling
 - Copy propagation
 - Software pipelining
 - Common subexpression elimination
 - Prefetching
 - Some loop transformations
- Operations performed at higher optimization levels, e.g., -O3
 - Aggressive prefetching
 - More loop transformations



Architecture: Know Your Chip

- SSE level and other capabilities depend on the exact chip
- Taking an AMD Opteron “Barcelona” from Ranger as an example...
 - Supports AMD64, SSE, SSE2, SSE3, and “SSE4a” (subset of SSE4)
 - Does *not* support AMD’s more recent SSE5
 - Does *not* support all of Intel’s SSE4, nor its SSSE = Supplemental SSE
- In Linux, a standard file shows features of your system’s architecture
 - Do this: `cat /proc/cpuinfo` {shows cpu information}
 - If you want to see even more, do a Web search on the model number
- This information can be used during compilation



Specifying Architecture in the Compiler Options

With `-x<code>` {code = W, P, T, O, S... } or a similar option, you tell the compiler to use the most advanced SSE instruction set for the target hardware. Here are a few examples of processor-specific options.

Intel 10.1 compilers:

- `-xW` = use SSE2 instructions (recommended for Ranger)
- `-xO` = include SSE3 instructions (also good for Ranger)
- `-xT` = SSE3 & SSSE3 (no good, SSSE is for Intel chips only)
- In Intel 11.0, these become `-msse2`, `-msse3`, and `-xssse3`
- `-xSSE4.2` is appropriate for Lonestar

PGI compilers:

- `-tp barcelona-64` = use instruction set for Barcelona chip



Interprocedural Optimization (IPO)

- Most compilers will handle IPO within a single file (option `-ipo`)
- The Intel `-ipo` compiler option does more
 - It places additional information in each object file
 - During the load phase, IPO among ALL objects is performed
 - This may take much more time, as code is recompiled during linking
 - It is **important** to include options in **link** command (`-ipo -O3 -xW`, etc.)
 - All this works because the special Intel `xild` loader replaces `ld`
 - When archiving in a library, you must use `xiar`, instead of `ar`



Interprocedural Optimization Options

Intel compilers:

- `-ip` enable single-file interprocedural (IP) optimizations
 - Limits optimizations to within individual files
 - Produces line numbers for debugging
- `-ipo` enable multi-file IP optimizations (between files)

PGI compilers:

- `-Mipa=fast,inline` enable interprocedural optimization
There is a loader problem with this option



Other Intel Compiler Options

- `-g` generate debugging information, symbol table
- `-vec_report#` {# = 0-5} turn on vector diagnostic reporting – *make sure your innermost loops are vectorized*
- `-C` (or `-check`) enable extensive runtime error checking
- `-CB -CU` check bounds, check uninitialized variables
- `-convert kw` specify format for binary I/O by keyword {kw = big_endian, cray, ibm, little_endian, native, vaxd}
- `-openmp` multithread based on OpenMP directives
- `-openmp_report#` {# = 0-2} turn on OpenMP diagnostic reporting
- `-static` load libs statically at runtime – *do not use*
- `-fast` same as `-O2 -ipo -static`; *not allowed on Ranger*



Other PGI Compiler Options

- `-fast` use a suite of processor-specific optimizations:
`-O2 -Munroll=c:1 -Mnoframe -Mlre -Mautoinline`
`-Mvect=sse -Mscalarsse -Mcache_align -Mflushz`
- `-mp` multithread the executable based on OpenMP directives
- `-Minfo=mp,ipa` turn on diagnostic reporting for OpenMP, IP



Best Practices for Compilers

- Normal compiling for Ranger
 - Intel:
icc/ifort **-O3 -ipo -xW** prog.c/cc/f90
 - PGI:
pgcc/pgcpp/pgf95 **-fast -tp barcelona-64** prog.c/cc/f90
 - GNU:
gcc **-O3 -fast -xipo -mtune=barcelona -march=barcelona** prog.c
- -O2 is the default; compile with -O0 if this breaks (very rare)
- Effects of Intel's -xW and -xO options may vary
- Debug options should not be used in a production compilation!
 - Compile like this only for debugging: ifort -O2 -g -CB test.c

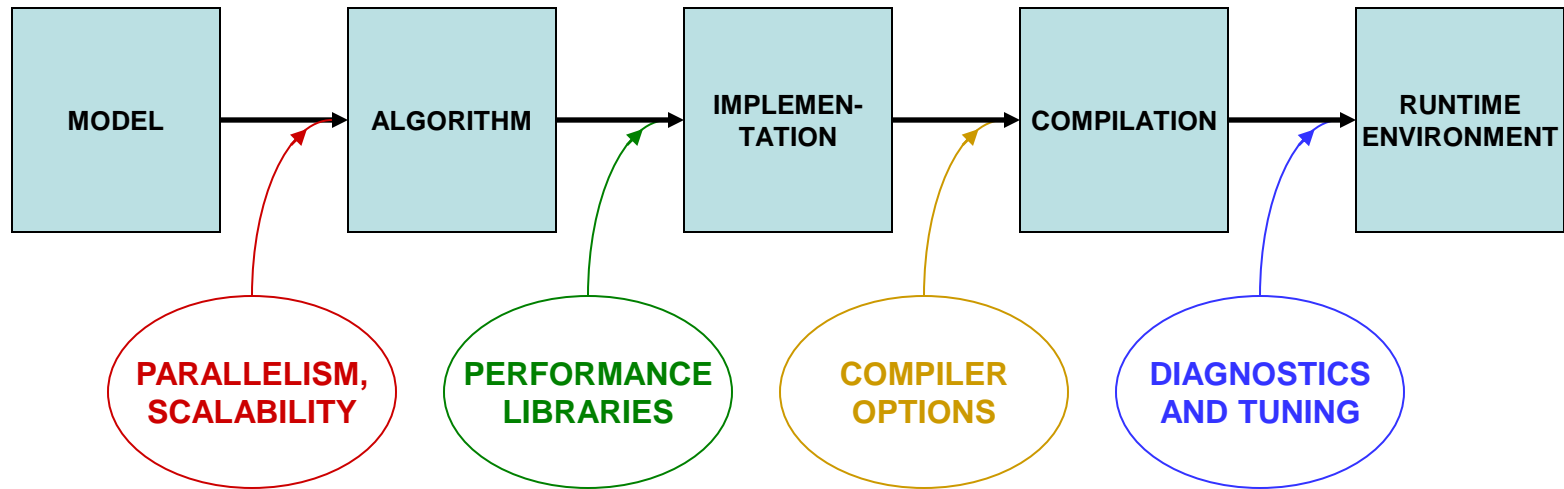


Lab: Compiler-Optimized Naïve Code vs. Libraries

- Challenge: how fast can we do a linear solve via LU decomposition?
- Naïve code is copied from Numerical Recipes
- Two alternative codes are based on calls to GSL and LAPACK
 - LAPACK references can be resolved by linking to an optimized library like AMD's ACML or Intel's MKL
- We want to compare the timings of these codes when compiled with different compilers and optimizations
 - Compile the codes with different flags, including “-g”, “-O2”, “-O3”
 - Submit a job to see how fast the codes run
 - Recompile with new flags and try again
 - Can even try to use the libraries' built-in OpenMP multithreading
- Source sits in `~tg459572/LABS/ludecomp.tgz`



Putting Performance into Development: Tuning



Designing for parallelism and scalability is a topic in itself...

...this talk is about principles and practices during the later stages of development that lead to better performance on a per-core basis



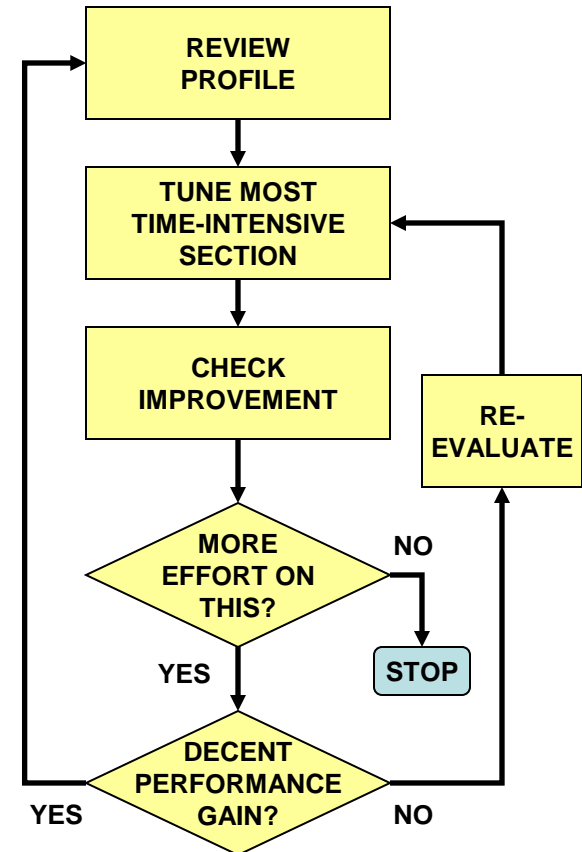
In-Depth vs. Rough Tuning

In-depth tuning is a long, iterative process:

- Profile code
- Work on most time intensive blocks
- Repeat as long as you can tolerate...

For rough tuning during development:

- It helps to know about common microarchitectural features (like SSE)
- It helps to have a sense of how the compiler tries to optimize instructions, given certain features





First Rule of Thumb: Minimize Your Stride

- Minimize stride length
 - It increases **cache** efficiency
 - It sets up hardware and software prefetching
 - Stride lengths of large powers of two are typically the worst case, leading to cache and TLB misses (due to limited cache associativity)
- Strive for stride-1 vectorizable loops
 - Can be sent to a **SIMD** unit
 - Can be unrolled and pipelined
 - Can be parallelized through OpenMP directives
 - Can be “automatically” parallelized (be careful...)

G4/5	Velocity Engine (SIMD)
Intel/AMD	MMX, SSE, SSE2, SSE3 (SIMD)
Cray	Vector Units

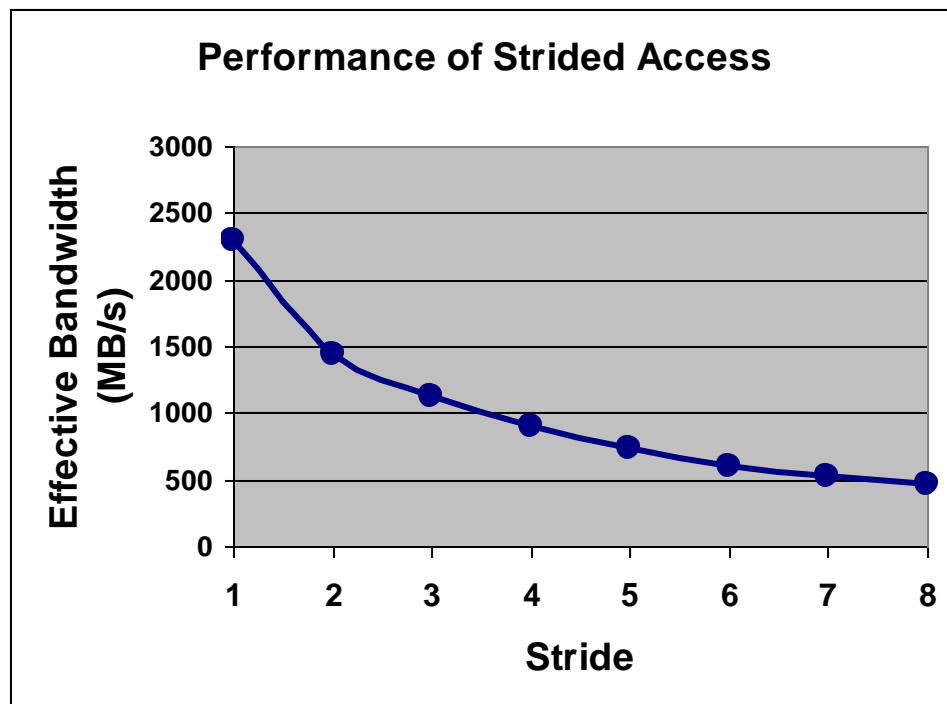


The Penalty of Stride > 1

- For large and small arrays, always try to arrange data so that structures are arrays with a unit (1) stride.

Bandwidth Performance Code:

```
do i = 1,10000000,istride
sum = sum + data( i )
end do
```





Stride 1 in Fortran and C

- The following snippets of code illustrate the correct way to access contiguous elements of a matrix, i.e., stride 1 in Fortran and C

Fortran Example:

```
real*8 :: a(m,n) , b(m,n) , c(m,n)
...
do i=1,n
  do j=1,m
    a(j,i)=b(j,i)+c(j,i)
  end do
end do
```

C Example:

```
double a[m][n] , b[m][n] , c[m][n];
...
for (i=0;i < m;i++){
  for (j=0;j < n;j++){
    a[i][j]=b[i][j]+c[i][j];
  }
}
```



Second Rule of Thumb: Inline Your Functions

- What does inlining achieve?
 - It replaces a function call with a full copy of that function's instructions
 - It avoids putting variables on the stack, jumping, etc.
- When is inlining important?
 - When the function is a hot spot
 - When function call overhead is comparable to time spent in the routine
 - When it can benefit from Inter-Procedural Optimization
- As you develop "think inlining"
 - The C "inline" keyword provides inlining within source
 - Use -ip or -ipo to allow the compiler to inline



Example: Procedure Inlining

```
integer :: ndim=2, niter=10000000
real*8  :: x(ndim), x0(ndim), r
integer :: i, j
...
do i=1,niter
  ...
  r=dist(x,x0,ndim)
  ...
end do
...
end program
real*8 function dist(x,x0,n)
real*8  :: x0(n), x(n), r
integer :: j,n
r=0.0
do j=1,n
  r=r+(x(j)-x0(j))**2
end do
dist=r
end function
```

Trivial function *dist* is called *niter* times

```
integer:: ndim=2, niter=10000000
real*8  :: x(ndim), x0(ndim), r
integer :: i, j
...
do i=1,niter
  ...
  r=0.0
  do j=1,ndim
    r=r+(x(j)-x0(j))**2
  end do
  ...
end do
...
end program
```

Low-overhead loop *j* executes *niter* times

function *dist* has been inlined inside the *i* loop



Best Practices from the Ranger User Guide

- Avoid excessive program modularization (i.e. too many functions/subroutines)
 - Write routines that can be inlined
 - Use macros and parameters whenever possible
- Minimize the use of pointers
- Avoid casts or type conversions, implicit or explicit
 - Conversions involve moving data between different execution units
- Avoid branches, function calls, and I/O inside loops
 - Why pay overhead over and over?
 - Structure loops to eliminate conditionals
 - Move loops into the subroutine, instead of looping around a subroutine call



More Best Practices from the Ranger User Guide

- Additional performance can be obtained with these techniques:
 - Memory Subsystem Tuning: Optimize access to the memory by minimizing the stride length and/or employing “cache blocking” techniques such as loop tiling
 - Floating-Point Tuning: Unroll inner loops to hide FP latencies, and avoid costly operations like division and exponentiation
 - I/O Tuning: Use direct-access binary files or MPI-IO to improve the I/O performance
- These techniques are explained in further detail, with examples, in the Memory Subsystem Tuning section of the Lonestar User Guide:
 - <http://www.tacc.utexas.edu/user-services/user-guides/lonestar-user-guide#tuning>



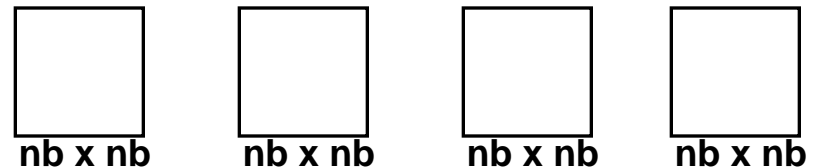
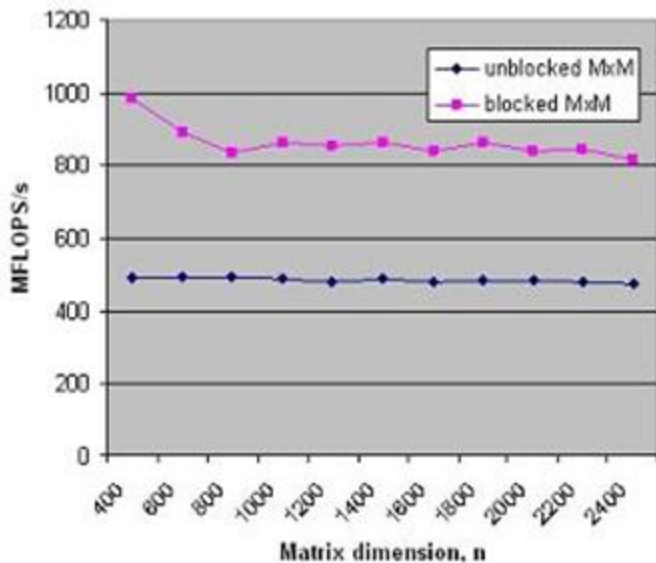
Array Blocking, or Loop Tiling, to Fit Cache

Example: matrix-matrix multiplication

```

real*8 a(n,n), b(n,n), c(n,n)
do ii=1,n,nb
  do jj=1,n,nb
    do kk=1,n,nb
      do i=ii,min(n,ii+nb-1)
        do j=jj,min(n,jj+nb-1)
          do k=kk,min(n,kk+nb-1)
            c(i,j)=c(i,j)+a(i,k)*b(k,j)
          
        
      
    
  

```



Takeaway: all the performance libraries do this, so you don't have to